



"Apollo" PRESS



Job Name:	
Job Location:	
Engineer:	
Contractor:	
Tag:	
PO#:	
Rep:	
Wholesale Dist.:	

DESCRIPTION

The lead free* APOLLOPRESS® 77WLF Ball Valve is ideal for installation in potable water systems requiring NSF 61 or lead free* approval. Now with Leak Before Press® feature and 300 psig maximum working pressure.

FEATURES

- Lead Free* Brass & Bronze Materials
- Easily Identifiable Blue Lead Free Hang Tag
- Full-Port Flow
- Adjustable Stem Packing
- Fast, Reliable, Economical Press Installation
- Leak Before Press® Technology
- Corrosion Resistant Materials
- 100% Factory Tested
- Ridgid® XL Press Tool Compatible
- **Made in USA, ARRA Compliant**

PERFORMANCE RATING[†]

- Maximum Operating Pressure: 300 psi
- Temperature Range: 0°F - 250°F

**APOLLOPRESS® connectors are designed for direct mechanical connection to ASTM B88-Type K, L, and M copper tubing in the hard drawn condition. Press connectors are not suitable for steam or flammable gas service.*

APPROVALS

- MSS SP-110 Ball Valves
- NSF/ANSI 61 Water Quality
- NSF/ANSI 372 Lead Free* 0.25% Lead Max.
- ANSI 3rd Party Approval to AB 1953
- IAPMO/ANSI Z1157

OPTIONS

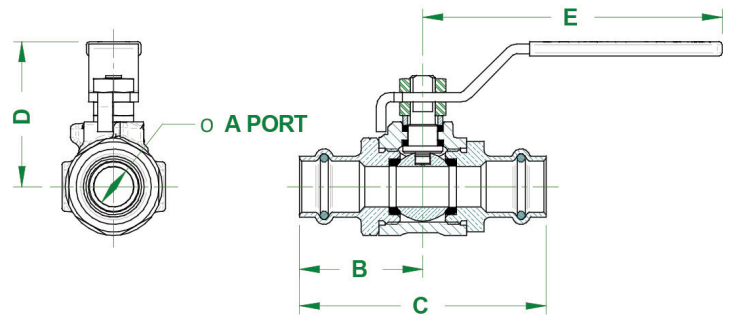
- (-04) 2-1/4" Stem Extension
- (-07) Tee-Handle
- (-10) Stainless Steel Handle and Nut
- (-11) Therma-Seal™ Insulating Tee Handle
- (-92) Standard Lever with Balancing Stop
- (-94) 2-1/4" Stem Extension and Balancing Stop
- (77WLF-140 SERIES) S.S. Ball and Stem

STANDARD MATERIALS LIST

BODY	ASTM B584 C89836
SEAT	Multi-Fill PTFE
BALL	UNS C27451 Brass, Chr. Plated
STEM PACKING	Multi-Fill PTFE
NUT	Zinc Plated Steel
STEM	UNS C27451 Brass
RETAINER	UNS C27451 Brass
HANDLE	Plated Steel / Insulated Polyvinyl
GLAND	Brass, ASTM B16, C36000
O-RING	EPDM

DIMENSIONS

MODEL NUMBER	SIZE (IN.)	DIMENSIONS (IN.)					WT. (LB.)
		A	B	C	D	E	
77WLF-103-01	1/2"	0.50	1.54	3.08	1.50	3.74	0.61
77WLF-104-01	3/4"	0.75	1.78	3.55	2.01	4.78	1.09
77WLF-105-01	1"	1.00	2.12	4.24	2.20	4.78	1.77
77WLF-106-01	1-1/4"	1.25	2.61	5.22	3.13	7.04	4.27
77WLF-107-01	1-1/2"	1.50	2.96	5.92	3.10	7.04	4.63
77WLF-108-01	2"	2.00	3.74	7.47	3.48	7.04	8.21



*LEAD FREE: The wetted surfaces of this product shall contain no more than 0.25% lead by weighted average. Complies with Federal Public Law 111-380. ANSI 3rd party approved and listed.